

1945

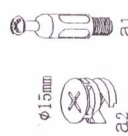
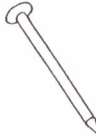

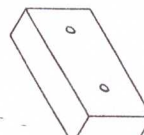
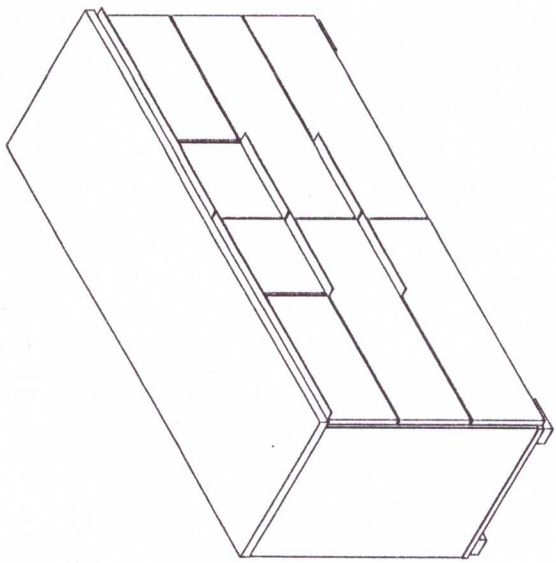




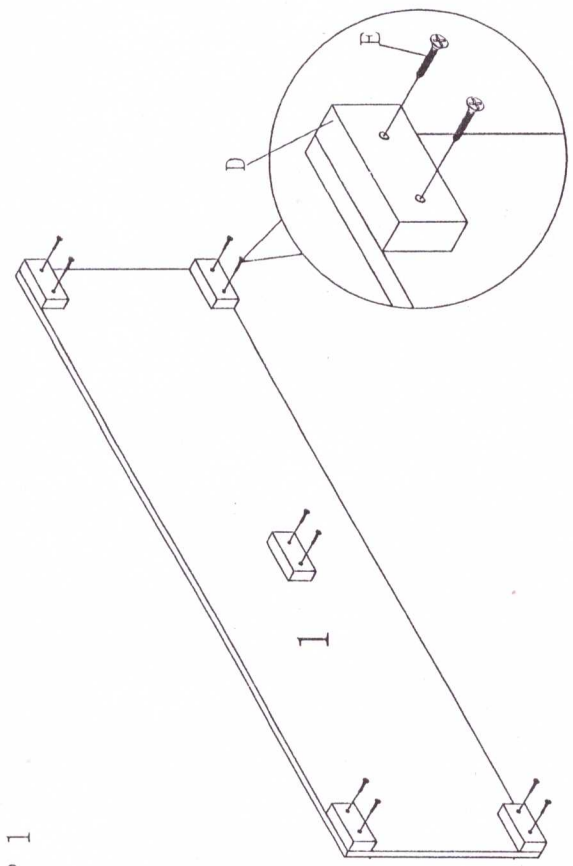




ASSEMBLY INSTRUCTION

MODEL: A2005

PRODUCT: dresser

EDITION NO. A

1/2

<p>A</p>  <p>X52</p>	<p>B</p>  <p>X60</p>	<p>C</p>  <p>phi 8*30mm X12</p>	<p>D</p>  <p>X5</p>		
<p>E</p>  <p>phi 8*40mm X10</p>	<p>F</p>  <p>phi 3.5*35mm X24</p>	<p>G</p>  <p>phi 3.5*14mm X66</p>	<p>H</p>  <p>X6</p>	<p>STEP 1</p> 	
<p>I</p>  <p>X6</p>	<p>J</p>  <p>X4</p>	<p>K</p>  <p>X12</p>			
<p>L</p>  <p>phi 3.5*30mm X12</p>					

ASSEMBLY INSTRUCTION

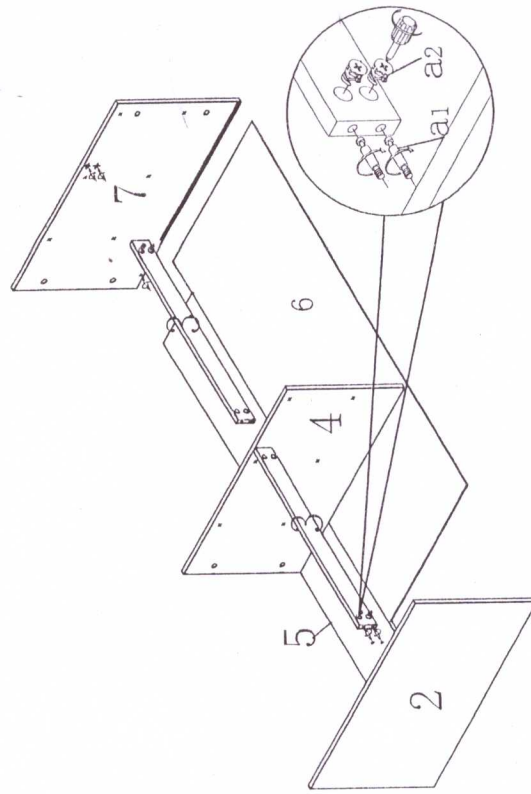
MODEL: A2005

PRODUCT: dresser

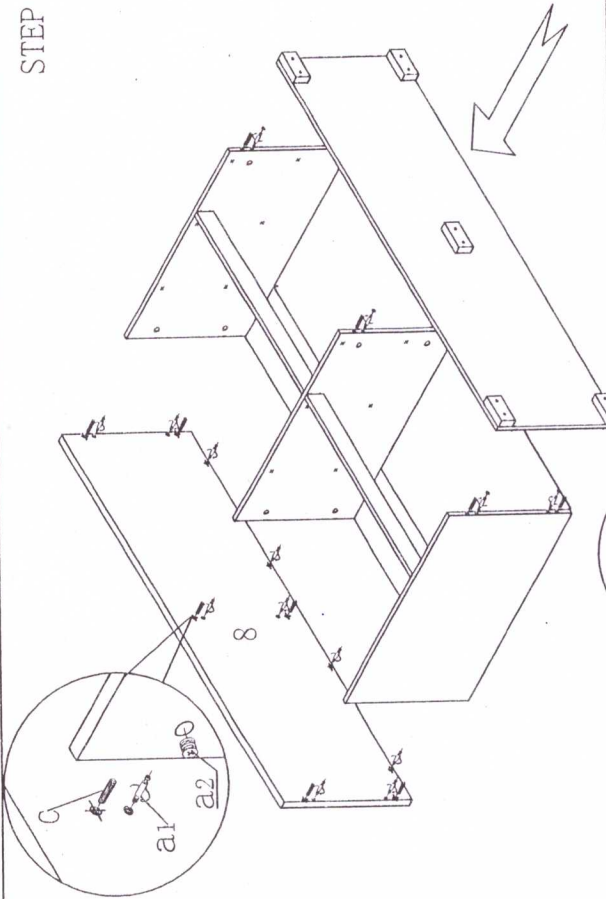
EDITION NO. A

2/2

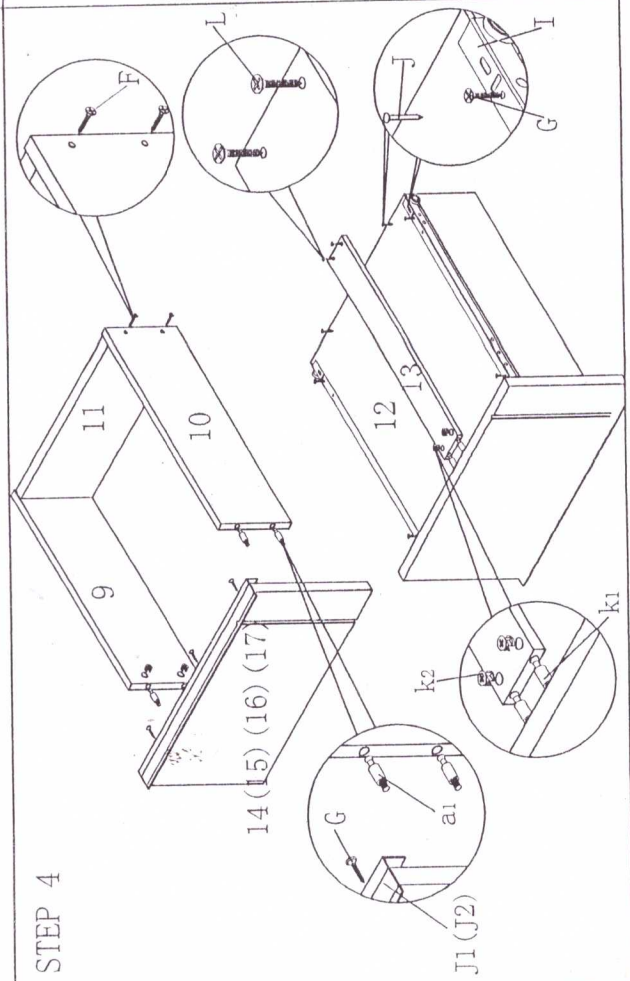
STEP 2



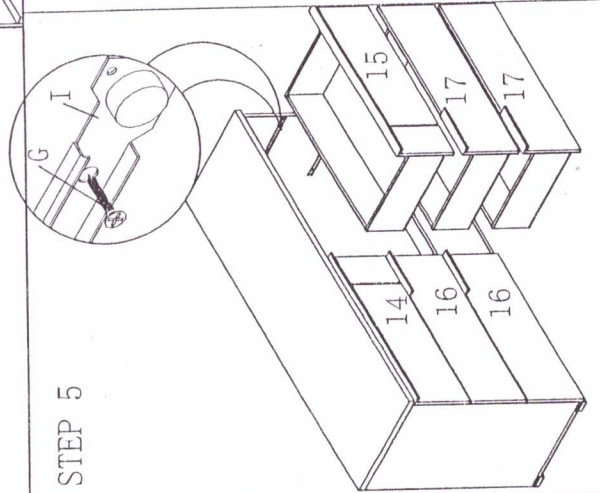
STEP 3



STEP 4



STEP 5



STEP 6

